



90W LED Street Light

Optical Parameters

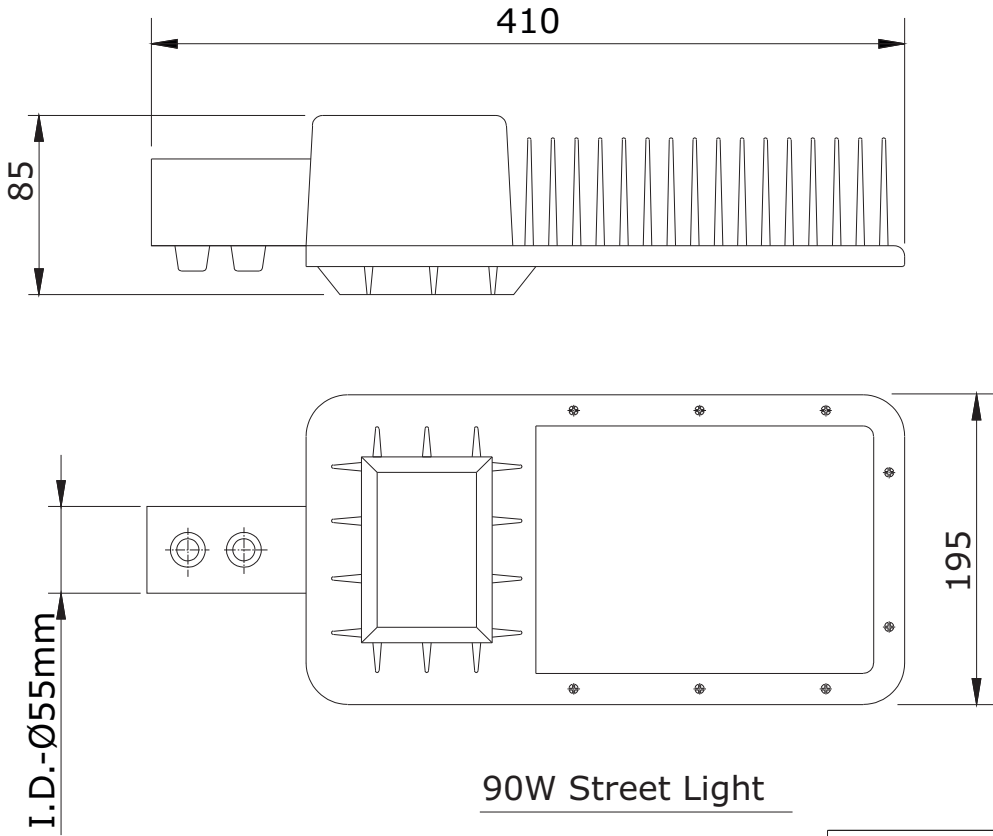
Color Temperature	• 6500°K
Optics Beam Angle	• 60°-90±2°
Light Source Type	• Power LED
LED Make	• Osram / Bridgelux
Total Lumens	• ≥ 10800lm
Lumens /Watt	• ≥ 110 lm/W
CRI	• ≥ 70
Working Temperature	• 10°C to +50°C

Mechanical Parameters

Application	• Indoor /Outdoor Application
Housing Material	• Aluminium Pressure die Casting
Powder Coat	• Polyester Powercoat
Glass	• Clear Tempered Glass
IK Rating	• IK 08
Mounting Type	• Pole Mount diaØ45mm
IP Rating	• IP 66
Hardware	• Stainless Steel Hardware in Grade 304


Electrical Parameters

Rated Power (W)	• < 90W
Control Gear Input Voltage Range	• 140V AC to 270V AC
Control Gear Input Rated Voltage	• 230V AC
Power Factor	• >0.95
Frequency	• 50Hz
Control Gear Surge Protection	• 4KV
Electrical Safety Class	• Class 1
Burning Life at L70@ 50 °C	• 50,000 hrs
THD	• <10%
Control Gear Efficiency	• >85%



90W Street Light

Item Name : LED Street Light 90W			
Dimensions:			
Length	: 410mm	±2mm	
Width	: 195mm	±2mm	
Height	: 85mm	±2mm	
Pole I.D	: 50mm	±2mm	

		INSTAPOWERR LTD.			
		103, Rajpur Industrial Area, Bhagwanpur, 15.5Km, Roorkee-Dehradun Highway, Uttarakhand-247661 India			
PREPARED BY	PAWAN	REVIEWED BY	A.P	APPROVED BY	M.S
CUSTOMER APPROVAL	TITLE	GADRAWING (Street Light -90W)			
	No.	23.09.2025	DATE	FIRST ISSUE	DWG. No.
				REVISION	DOC. NO.